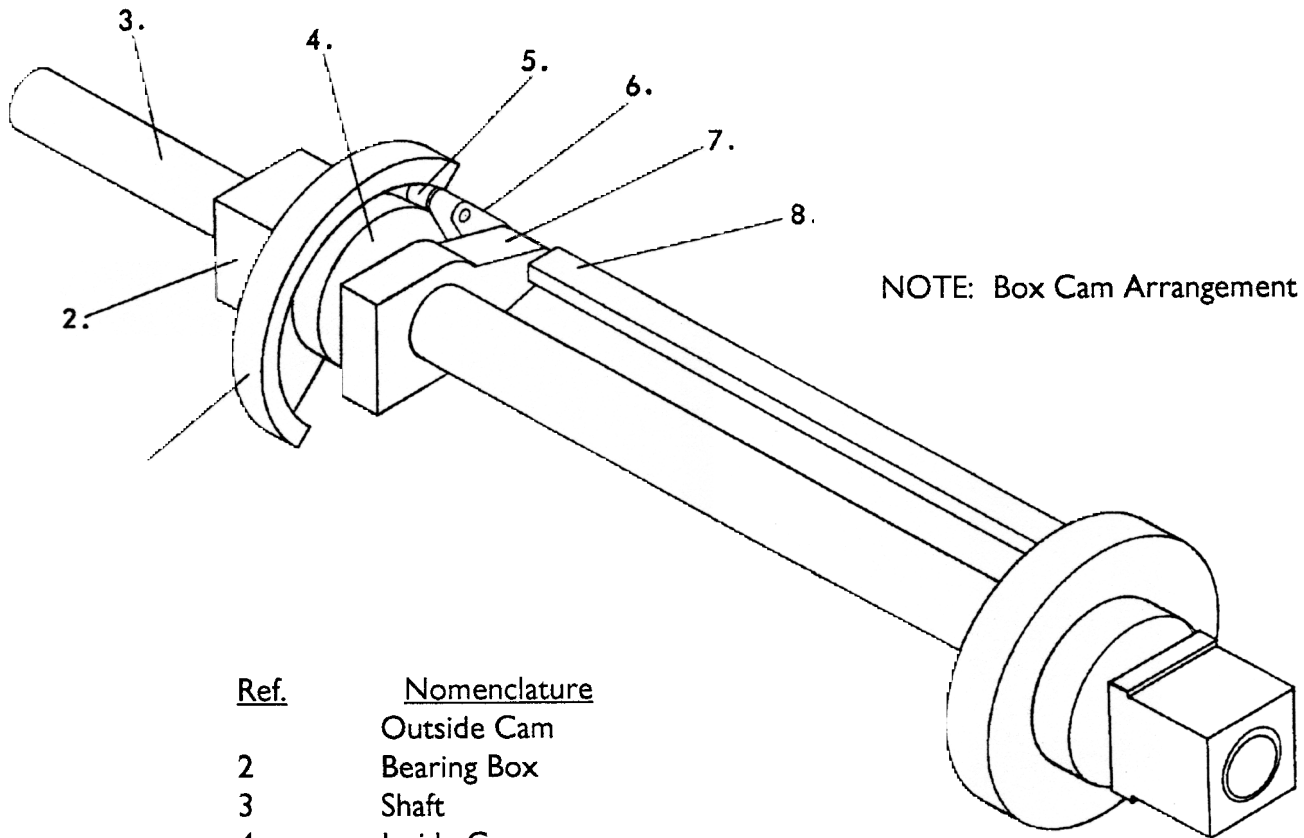




TUCKING CYLINDER

For Adjustable Machines 5 - 7



NOTE: Box Cam Arrangement

<u>Ref.</u>	<u>Nomenclature</u>
	Outside Cam
2	Bearing Box
3	Shaft
4	Inside Cam
5	Cam Follower
6	Cam Follower Lever
7	Tucking Bracket
8	Blade Support Bar

