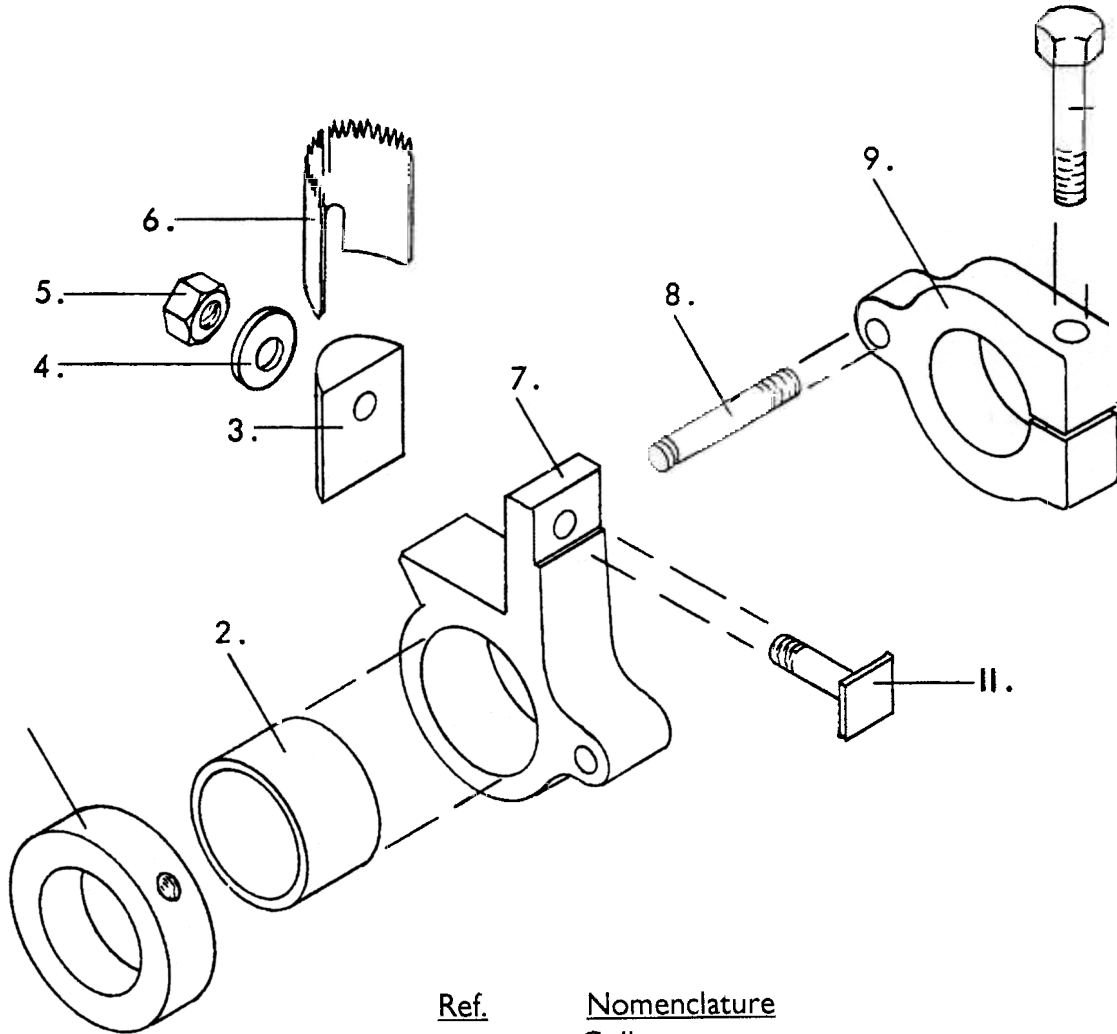




THUMB TAB CUTTER

For Weber Adjustable Machine 2 - 3 - 5 - 7



<u>Ref.</u>	<u>Nomenclature</u>
	Collar
2	Bracket Bearing
3	Block
4	Washer
5	Nut
6	Knife
7	Bracket
8	Clamp Stud
9	Clamp
10	Clamp Bolt
	Bracket Stud

Not Shown

Return springs available -
3 different strengths for
various paper weights.

