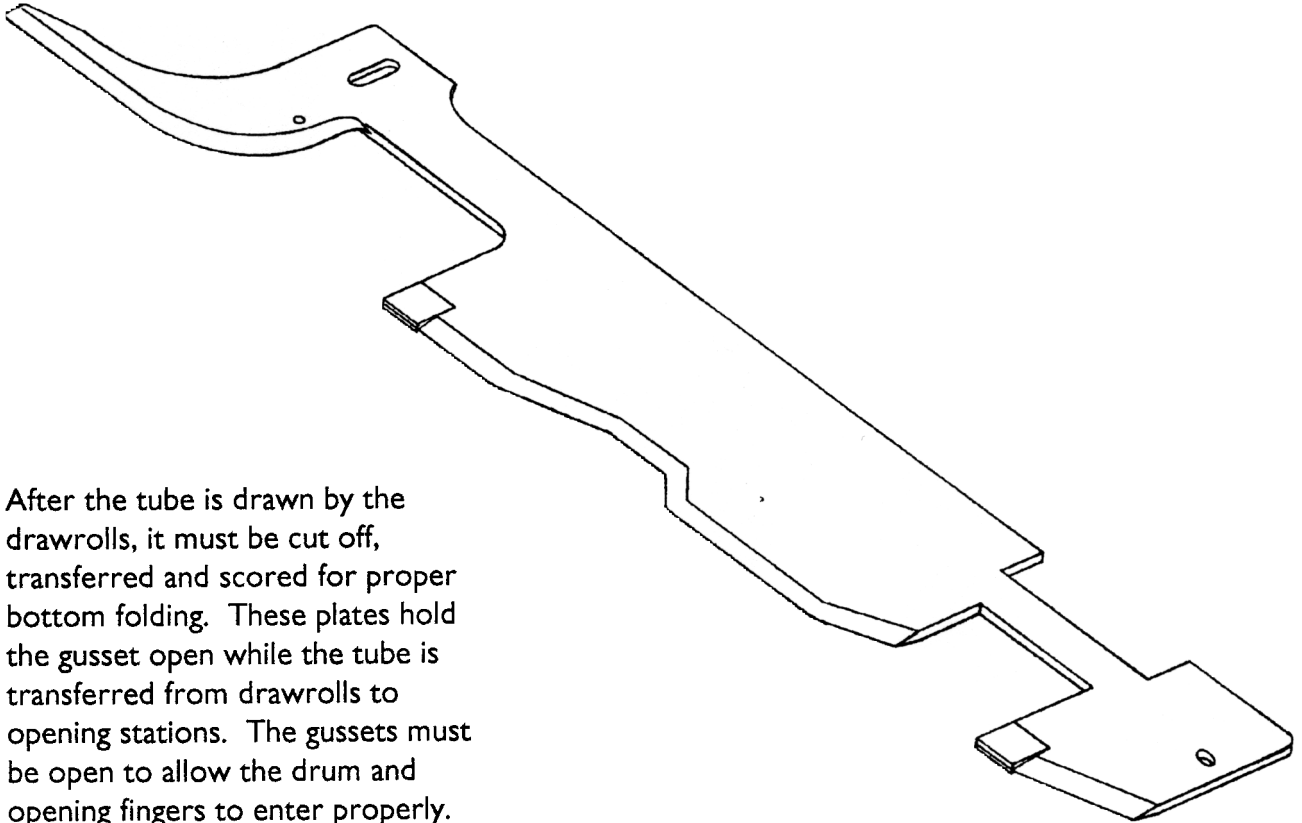


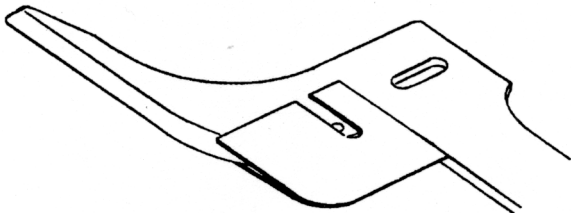


SIDE GUIDE PLATES

Adjustable Machines 2 - 3 - 5 - 7



After the tube is drawn by the drawrolls, it must be cut off, transferred and scored for proper bottom folding. These plates hold the gusset open while the tube is transferred from drawrolls to opening stations. The gussets must be open to allow the drum and opening fingers to enter properly.



The adjustable piece must be mounted so it is on a straight line with the guide plate for reliable transferring after scoring.