

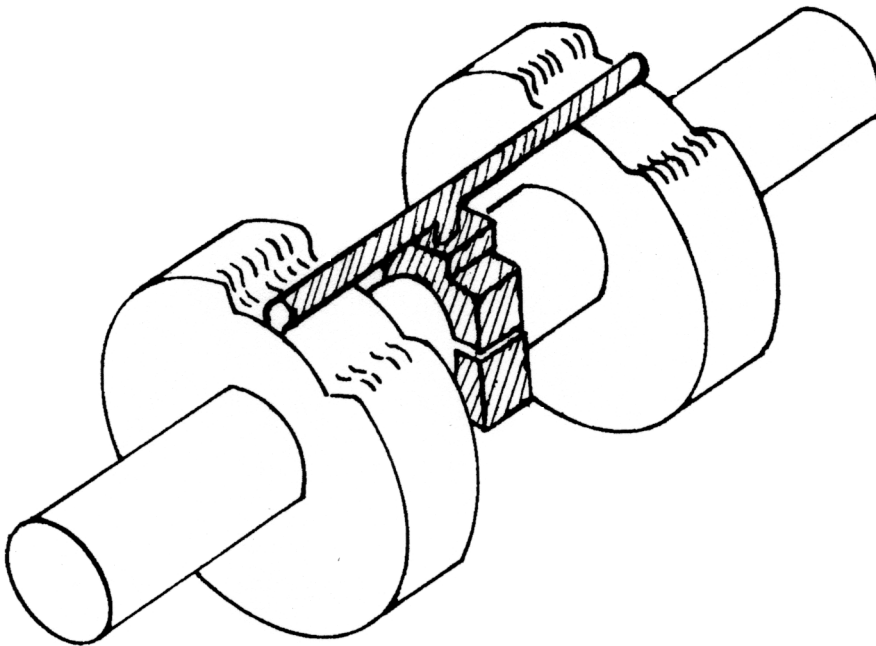


OPENING CYLINDER

Adjustable Breaker Bar at Opening Cylinder

For many years when making an S.O.S. bag, temporary measures were taken to fold properly at the opening cylinder.

An adjustable folding bar has been developed to improve the operation.



#3

- (1) - 18322AE Breaker Bar
4" Face
- (1) - 18322AD Breaker Bar
6" Face
- (1) - 18323C Holder
- (2) - 3/8-16 x 1 1/4 Socket Head
Cap Screw

#5

- (1) - 18322AC Breaker Bar
6 1/2" Face
- (1) - 18322AA Breaker Bar
8 1/2" Face
- (1) - 18323 Holder
- (2) - 3/8-16 x 1 3/4 Socket Head
Cap Screw

#7

- (1) - 12813 Breaker Bar 12" Face
- (1) - 12814 Holder
- (2) - 3/8-16 x 2 Socket Head
Cap Screw

This bar is adjustable to allow positioning it in-line with the second score line.