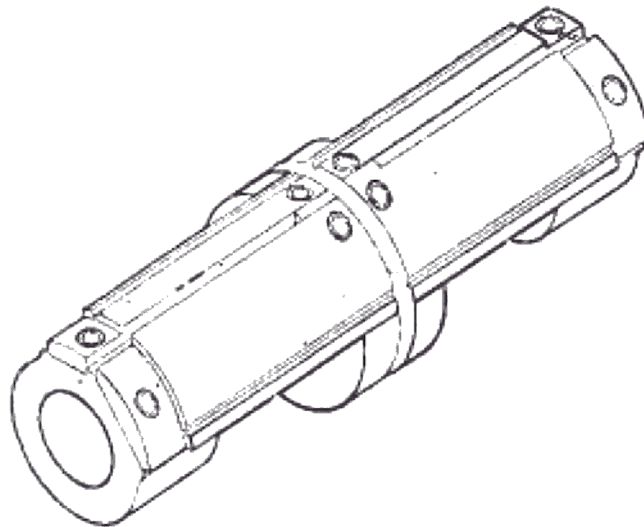


SERVICE BULLETIN

New Lower Scoring Cylinder



- ◆ Eliminates timing of score to drum clamp when changing bottom size
- ◆ Only two blocks to be replaced when making bottom size change
- ◆ Improved transfer of tube through score station

Contact the H.G. Weber Service Department at 920-894-2342

H.G. WEBER & CO., INC.

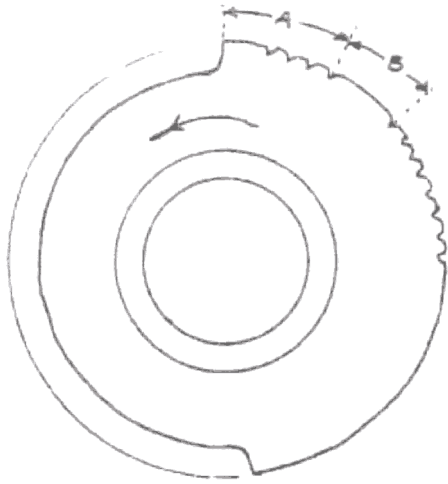
725 Fremont Street, P.O. Box 196
Kiel, Wisconsin 53042-0196 U.S.A.

ISO 9001
Certified

Service Phone: 920-894-2342
Service FAX: 920-894-4641

FLEXIBLE PACKAGING MACHINERY

E-mail: bagmachines@hgweber.com
Web Site: www.hgweber.com

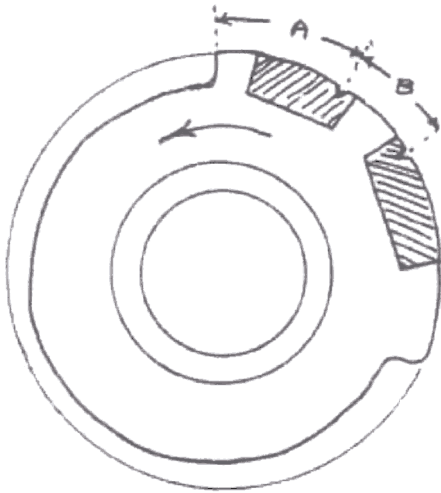


LOWER SCORE CYLINDERS

Multi-Groove

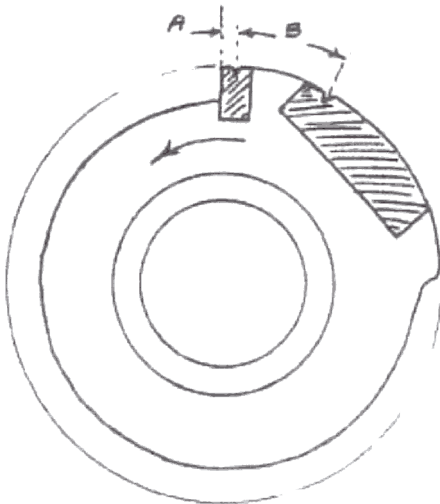
When making a small bottom bag, the leading end of the gussets are collapsed earlier and as the 1st score line to the leading edge of the tube is shorter, transfer is difficult.

- A. Closing gussets before scoring
- B. Score Lines



BOTH GROOVED BLOCKS REVERSIBLE

Same condition as above, the smaller the bag bottom, the more the leading tube is collapsed.



1ST GROOVE BLOCK STATIONARY 2ND GROOVE BLOCK REVERSIBLE

1st score groove never moves, leading end of tube is not collapsed until 1st score is made. This allows maximum amount of tube passing the score cylinders while still being spread for transfer onto tube guides.

*For a price quotation and delivery
contact the H.G. Weber Service Department at 920-894-2342*