



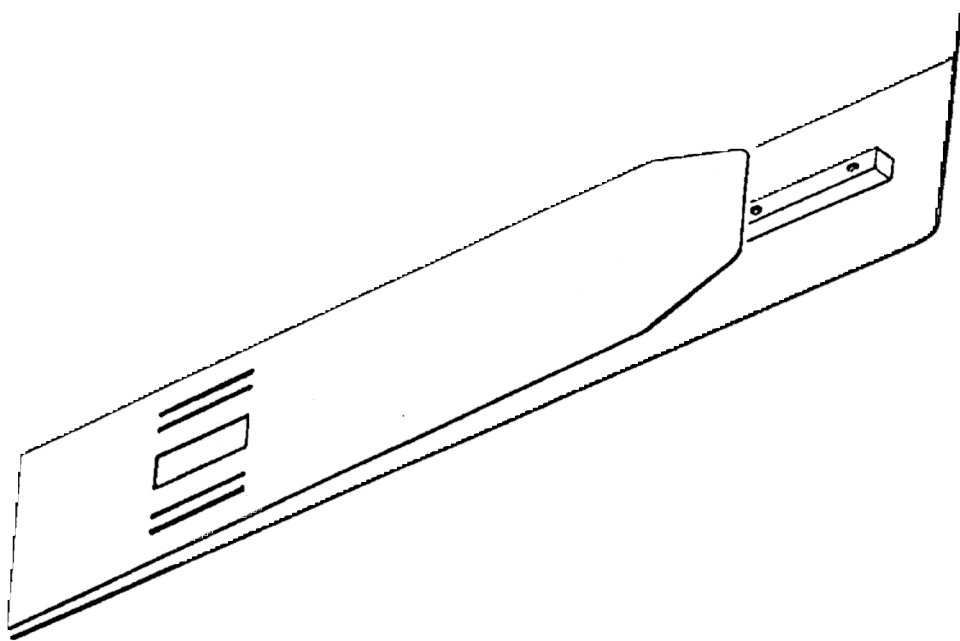
SERVICE BULLETIN

97-1

PLASMA COATED FORMERS (Laminated Poly Bags)

--REDUCE FRICTION--

**ELIMINATE DOWN TIME FOR MOUNTING SPECIAL
TEFLON FORMER TAPE.**



- The formers are coated .006/.008 thick with a hard face/release coating.
- No need to make special plates undersize.
- This coating will improve your release and sticking problems when running laminated poly bags.

They also have excellent wear and abuse resistance, and low coefficient of friction with a micro hardness of 72RC.