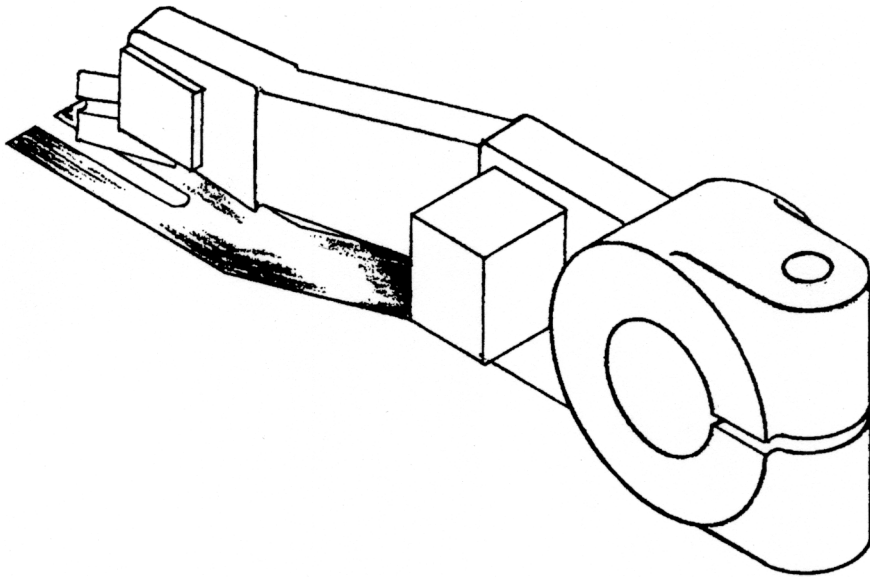




## **FORMER SLITTERS**

Multiwall Machines  
10AR - 11AR - 10-50



Paper fluttering on the former can cause the slits to vary in length. Try ironing down the paper at the time of slitting. We have a special flat, slotted spring for use when slitting on the formers.

Besides being used for ironing down the paper, this spring slit can be used for positioning the slitter arms when making a size change.