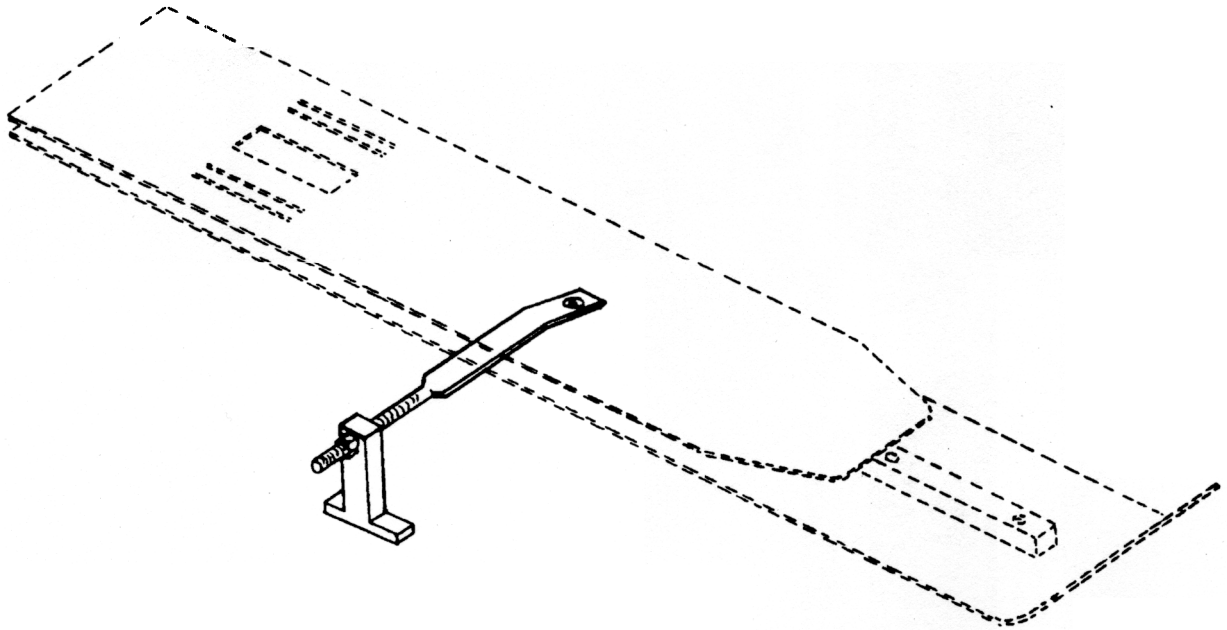


## **FORMER BRACE**



The length of the former on a bag machine permits possible deflection at the toe.

It is also difficult to align it using the two mounting bolts only.

For this reason all current Weber machines are equipped with a former brace.

The design of this brace allows converting of the four basic seam style bags: Upright - Inverted - Side Seam - Center Seam - Panel.

The threaded stud allows running adjustment. When making a full panel bag, the large face creates a greater force. This requires the former to be adjusted when paper is being drawn through the machine.

We have also replaced the rear bolt in the former support with a shoulder bolt. This bolt locks the heel of the former between the frame line. It also acts as a pivot point when adjusting the former with the former brace.