

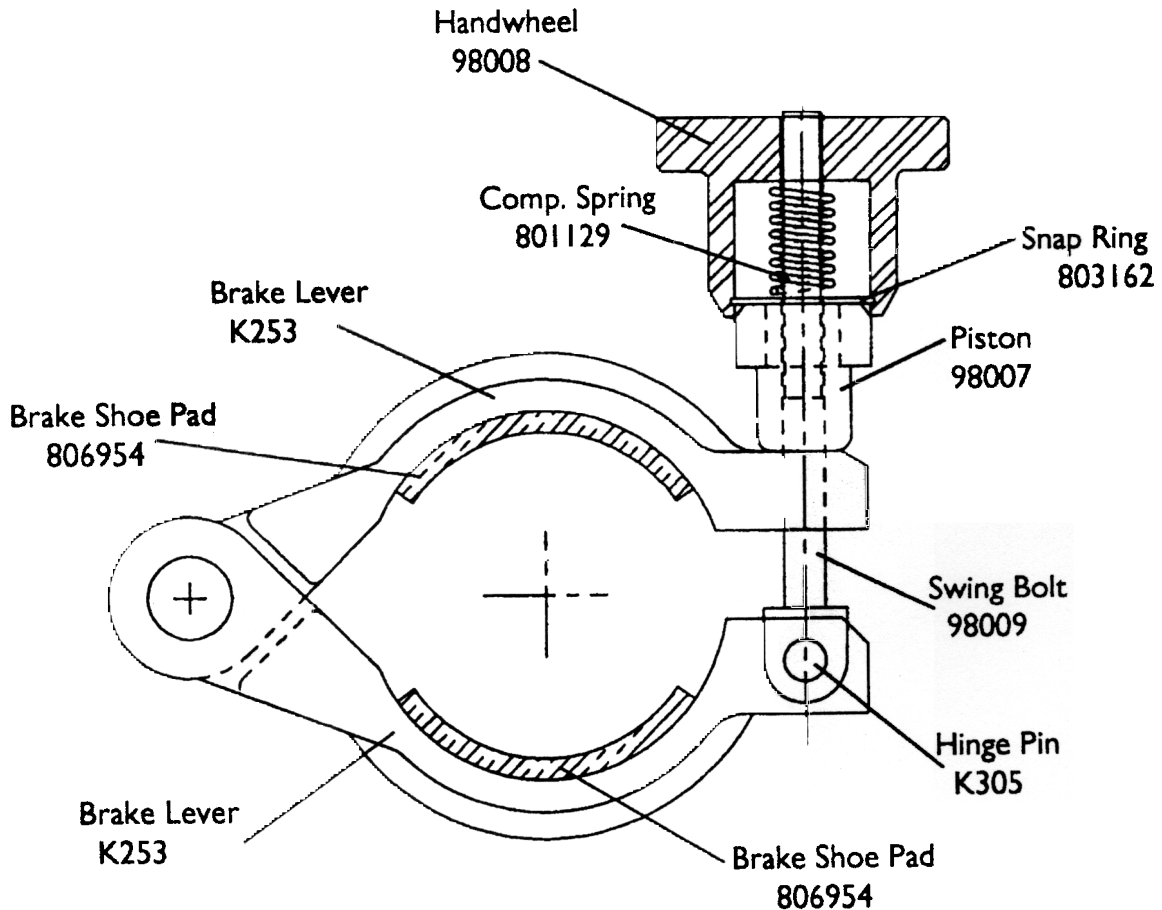


SERVICE BULLETINS

95-1

UI 10B BRAKE LEVER SUB ASSEMBLY

(complete assembly as shown)



Complete Brake Lever Assembly (UI 10B)

consists of the following:

- (1) Brake Lever Kit K253
- (1) Hinge Pin K305
- (1) Piston 98007
- (1) Handwheel 98008
- (1) Swing Bolt 98009
- (1) Spring 801129
- (1) Snap Ring 803162

Brake Lever Kit (K253)

consists of the following:

- (2) Brake Lever K253
- (2) Brake Shoe Pad 806954