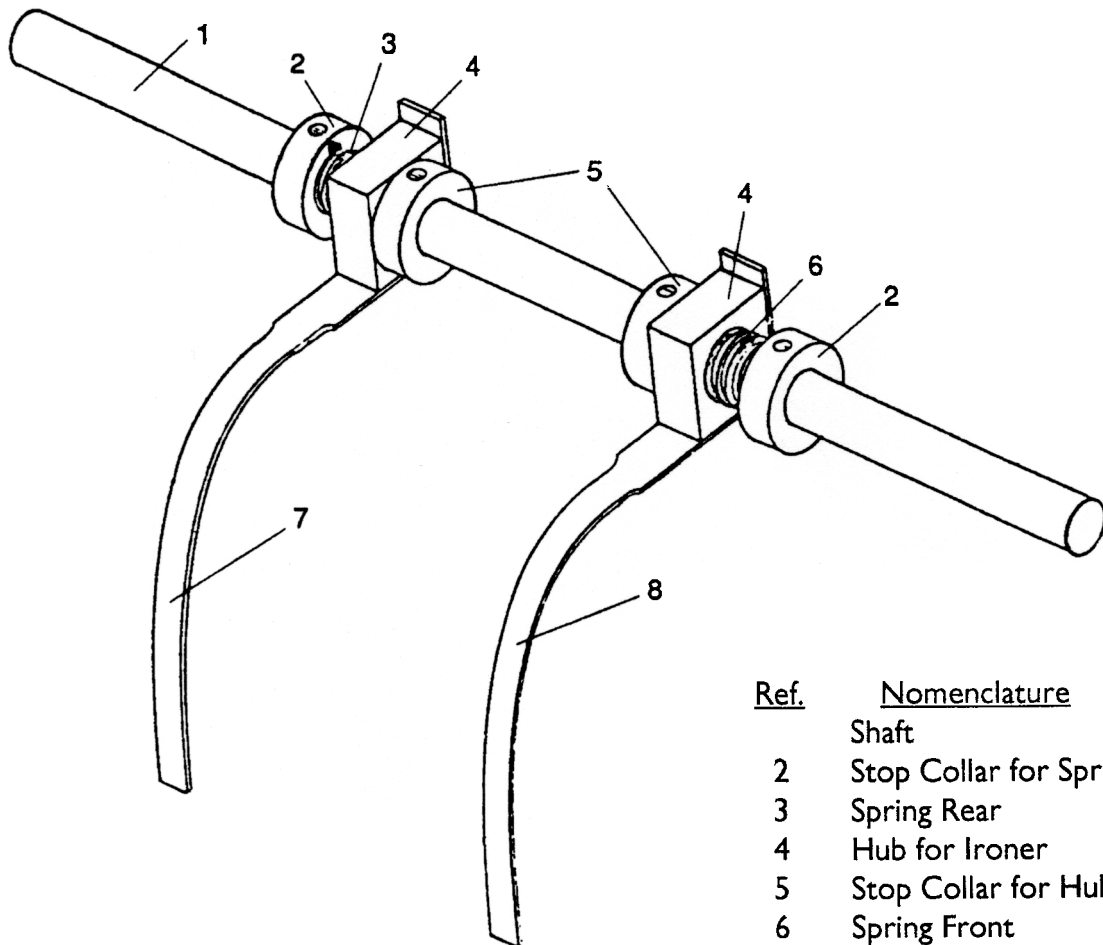




## BOTTOM PASTING HOLD-DOWN ASSEMBLY

### OPERATION AND ADJUSTMENT



<u>Ref.</u>	<u>Nomenclature</u>
	Shaft
2	Stop Collar for Spring
3	Spring Rear
4	Hub for Ironer
5	Stop Collar for Hub
6	Spring Front
7	Ironer Rear
8	Ironer Front

**Positioning:** Loosen the stop collar for hub. Slide it together with the ironer to position it with 1/8" - 3/16" clearance to the bottom paste pattern. Rotate the stop collar to raise the ironer 1/16" off the drum surface. Tighten the stop collar set screw.

Loosen the stop collar for spring and slide it with the spring against the ironer hub. Rotate the collar to apply medium spring pressure to ironer.